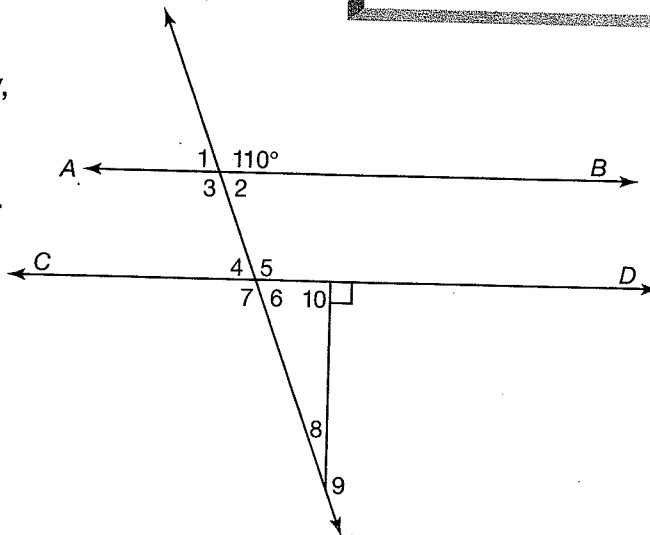


**Extend Your Thinking
8-5**

Critical Thinking

Use your knowledge of corresponding, vertical, interior, exterior, complementary, and supplementary angles and your knowledge of the angles of triangles to find the measure of each angle below.



1. Find each measure.

\overleftrightarrow{AB} and \overleftrightarrow{CD} are parallel.
Explain.

- a. $m\angle 1$ _____
- c. $m\angle 3$ _____
- e. $m\angle 5$ _____
- g. $m\angle 7$ _____
- i. $m\angle 9$ _____

- b. $m\angle 2$ _____
- d. $m\angle 4$ _____
- f. $m\angle 6$ _____
- h. $m\angle 8$ _____
- j. $m\angle 10$ _____

2. Find the measures of $\angle 1$ through $\angle 8$.
 \overleftrightarrow{JK} and \overleftrightarrow{LM} are parallel.

- a. $m\angle 1$ _____
- b. $m\angle 2$ _____
- c. $m\angle 3$ _____
- d. $m\angle 4$ _____
- e. $m\angle 5$ _____
- f. $m\angle 6$ _____
- g. $m\angle 7$ _____
- h. $m\angle 8$ _____

